

[Rustic X Coffee Table](#) [1]

Submitted by [Ana White](#) [2] on Mon, 2012-07-09 12:40



[1]

Additional Photos



[3]



[4]



[5]



[6]



[7]

Hey hey!

Happy Monday!

Thanks so much with your patience with the site this morning. We are growing (it's a good thing!) and are due for a server upgrade, but ALWAYS know keeping the site up and running fast is super important to me, and we are working very hard to improve the user experience of this site. What can I say? I APPRECIATE you each and every time you visit, and want to make sure each time you visit is pleasant for you.

Thank you!

We have started working again at the Momplex! So this week, I will start posting about our progress up there! I also owe you some Alaska stuff too :) Cause you ARE going to come visit, right?

But today, I just couldn't wait to share a new plan with you!



Rustic X Coffee Table

Published on Ana White (<http://ana-white.com>)

Remember a bit back when <the super amazing> [Hillary](#) [8] built this amazing [Rustic X Console Table](#) [9] from 2x4s?



Yup, 2x4s! And some Hillary magic.

Well, **after 22,000 of YOU** <hey, thanks!> pinned the console table, of course we HAD to put together coffee table plans for you!



And man is she beautiful!



I ENCOURAGE you to [stop over and visit Hillary](#) [10] and read about how she battled a wild fire to build this coffee table! Thanks Hillary!

PS - Hillary is also be [sharing her finishing tutorial](#) [11] and <gasp!> an end table plan!!!! Can't wait!

Summary:

Build a rustic X coffee table with free easy plans from Ana-White.com

Categories **Project Type:** [Coffee Table](#) [12]

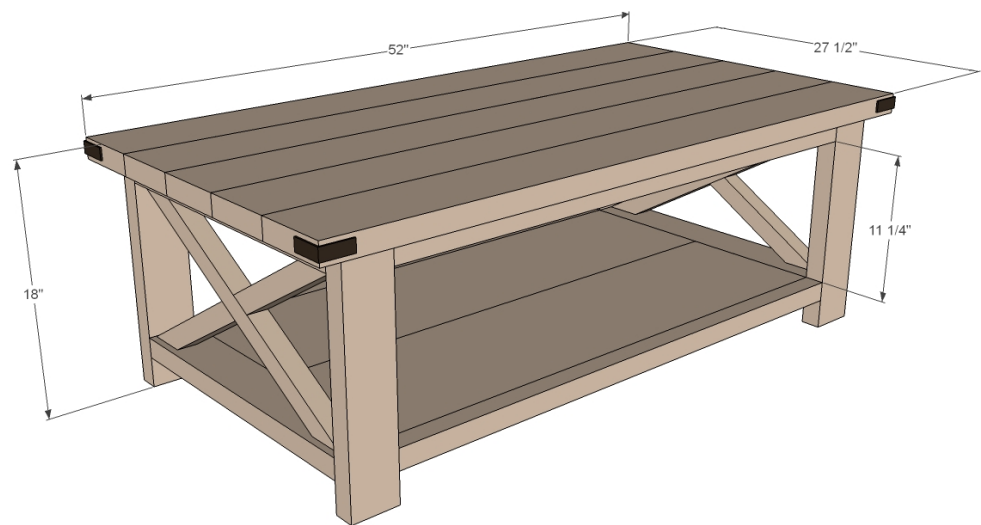
Room: [living room](#) [13]

Skill Level: [Intermediate](#) [14]

Style: [farmhouse](#) [15]

Dimensions: Dimensions are shown above.

Dimensions:



- 2 - 2x4 - 8 feet or stud length
- 4 - 2x2 - 8 feet
- 1 - 1x12 - 8 feet long
- 5 - 2x6 - stud length
- 1 1/4" and 2 1/2" PH screws

Tools: measuring tape

square

pencil

safety glasses

hearing protection

[Kreg Jig](#) [16]

[Drill](#) [17]

[Miter Saw](#) [18]

[Brad Nailer](#) [19]

[Random Orbital Sander](#) [20]

[Countersink Drill Bit](#) [21]

Cut List:

4 - 2x4 @ 16 1/2" (legs)

4 - 2x2 @ 41" (side trim)

4 - 2x4 @ 22 1/2" (end trim)

2 - 1x12 @ 41" (bottom shelf)

2 - 2x2 @ 22 1/2" (both ends cut at 60 degrees off square, long point to

short point, ends are parallel)

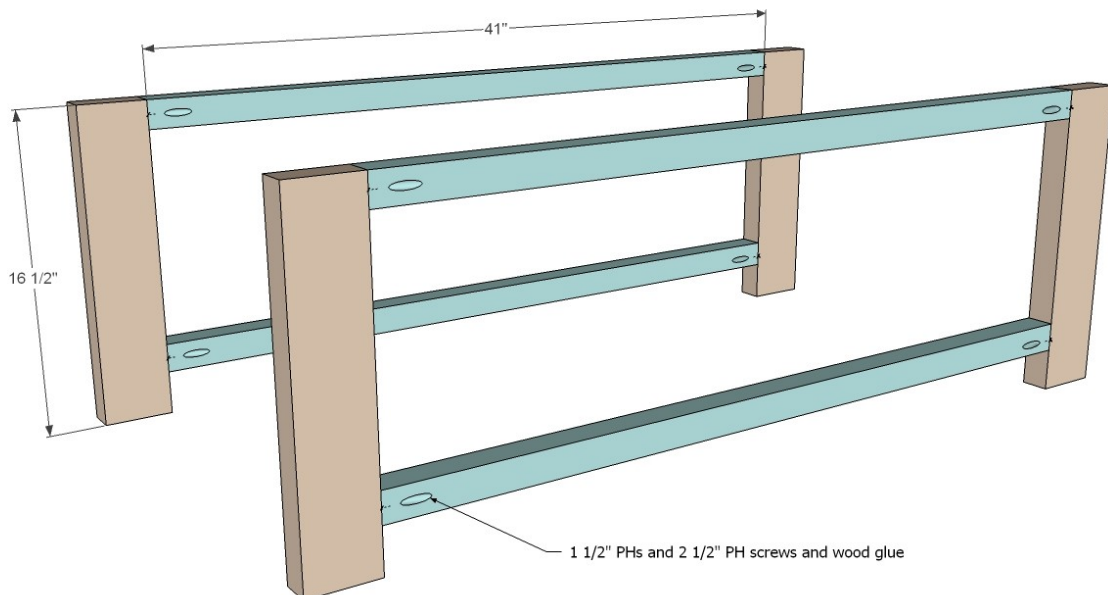
4 - 2x2 @ 11 1/4" (long point to short point, one end cut at 60 degrees off square, other end cut at 30 degrees off square, ends are not parallel but are cut in same direction)

5 - 2x6 @ 52" (tabletop boards)

General Instructions:

Please read through the entire plan and all comments before beginning this project. It is also advisable to review the Getting Started Section. Take all necessary precautions to build safely and smartly. Work on a clean level surface, free of imperfections or debris. Always use straight boards. Check for square after each step. Always predrill holes before attaching with screws. Use glue with finish nails for a stronger hold. Wipe excess glue off bare wood for stained projects, as dried glue will not take stain. Be safe, have fun, and ask for help if you need it. Good luck!

Step 1

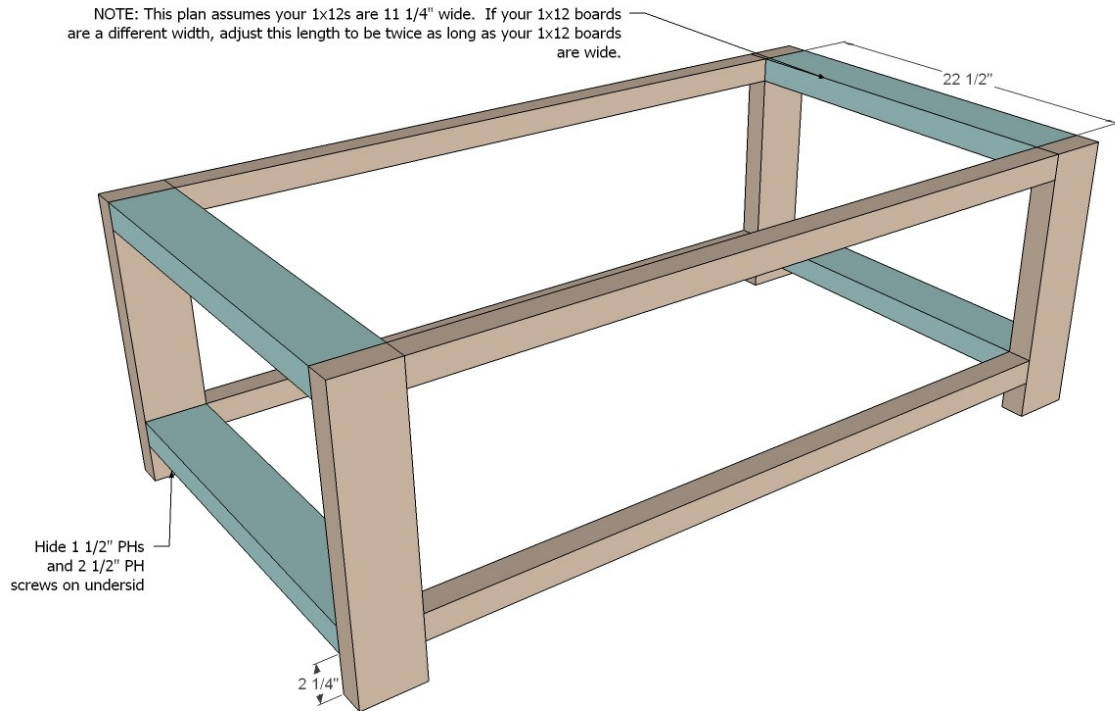


[22]

First build the two side trim pieces.

Step 2

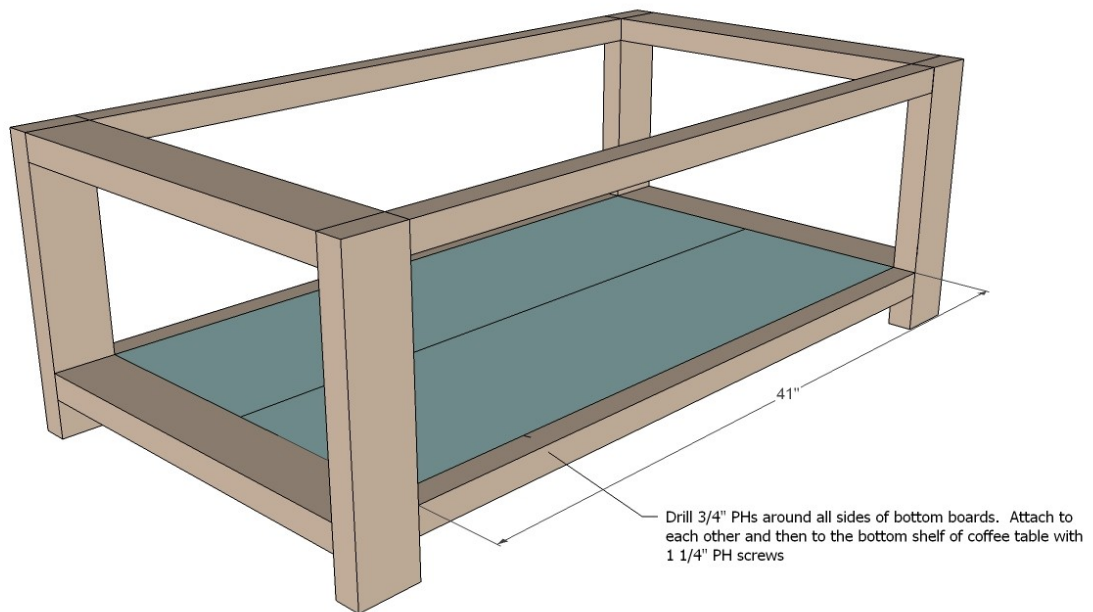
NOTE: This plan assumes your 1x12s are 11 1/4" wide. If your 1x12 boards are a different width, adjust this length to be twice as long as your 1x12 boards are wide.



[23]

Then connect together. Hide top pocket holes on top, bottom pocket holes on bottom. NOTE: This plan is sized for 1x12 boards measuring 11 1/4" wide - measure your 1x12 boards, double that number, and cut your side trim to fit - see next step.

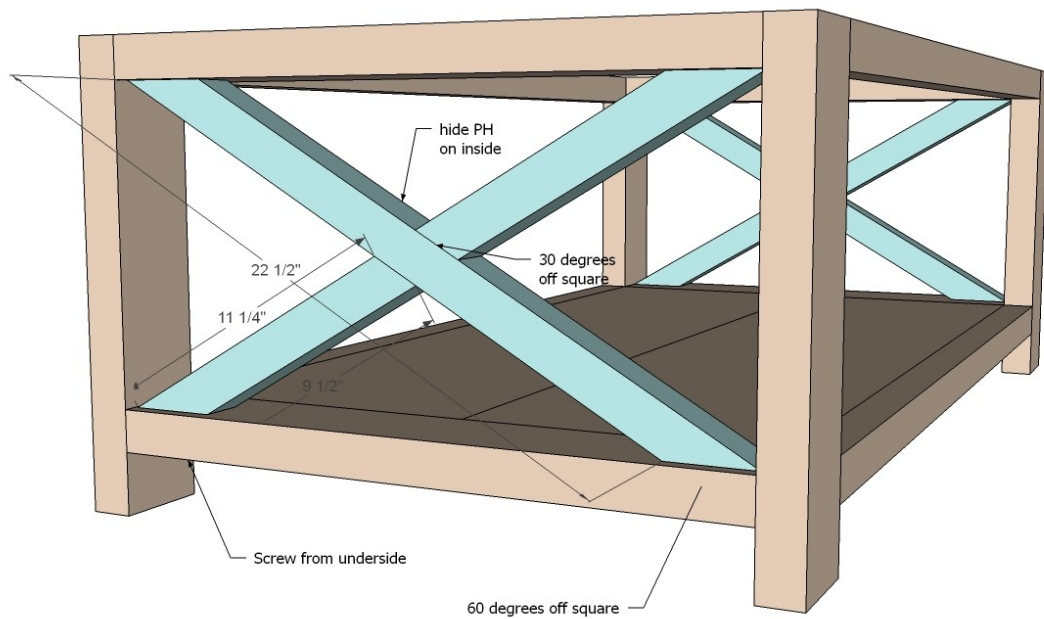
Step 3



[24]

Build your bottom shelf with 3/4" PHs/1 1/4" PH screws down center. Then drill 3/4" PHs around all outside edges and attach to the bottom shelf.

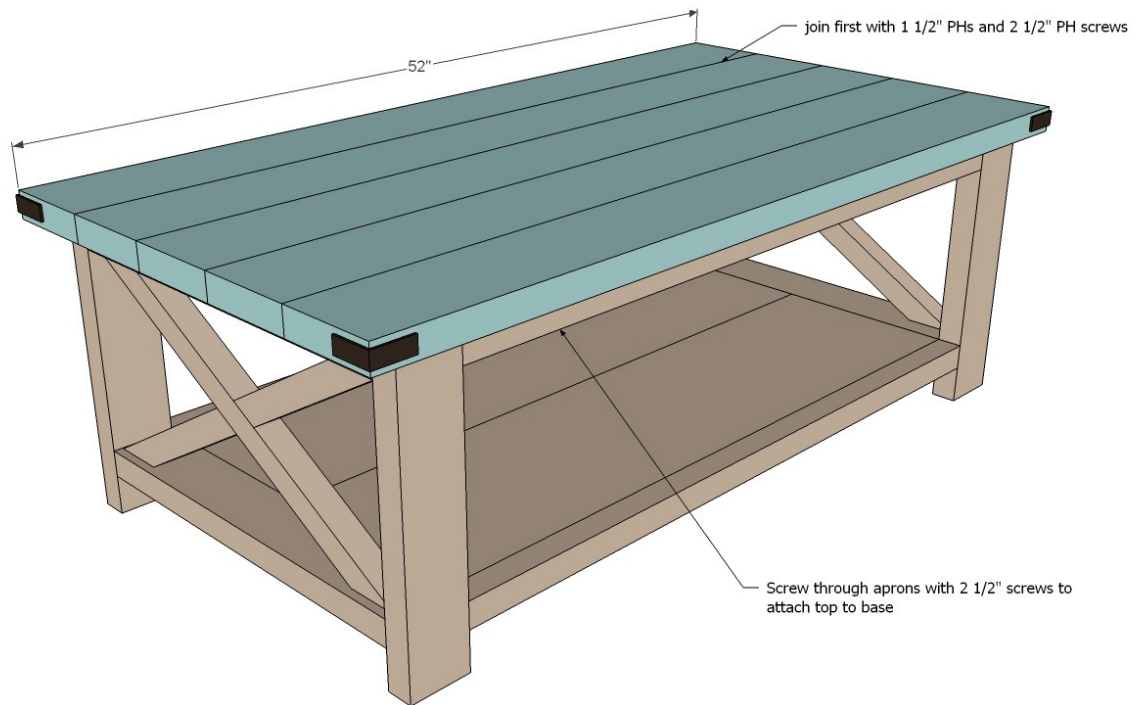
Step 4



[25]

Now attach cut and build the X braces. Attach in place. These are mostly decorative, so don't stress about getting them super screwed in place. Some good glue and screws will do the trick.

Step 5



[26]

Build your top with 1 1/2" PHs and 2 1/2" PH screws. Then attach to top of table through the side support apron pieces with 2 1/2" screws (you can use a few PH screws if you have them handy).

Finishing Instructions
Preparation Instructions: Fill all holes with wood filler and let dry. Apply additional coats of wood filler as needed. When wood filler is completely dry, sand the project in the direction of the wood grain with 120 grit sandpaper. Vacuum sanded project to remove sanding residue. Remove all sanding residue on work surfaces as well. Wipe project clean with damp cloth. It is always recommended to apply a test coat on a hidden area or scrap piece to ensure color evenness and adhesion. Use primer or wood conditioner as needed.

Source URL: <http://ana-white.com/2012/07/plans/rustic-x-coffee-table>

Links

[1] <http://ana-white.com/2012/07/plans/rustic-x-coffee-table>

[2] <http://ana-white.com/users/ana-white>



[3]

http://ana-white.com/sites/default/files/3154812188_1341855642.jpeg

[4]

http://ana-white.com/sites/default/files/3154812189_1341855642.jpeg

[5]

http://ana-white.com/sites/default/files/3154812190_1341855642.jpeg

[6]

http://ana-white.com/sites/default/files/3154812191_1341855642.jpeg

[7]

http://ana-white.com/sites/default/files/3154812192_1341855642.jpeg

[8] <http://thefriendlyhome.blogspot.com/>

[9] <http://ana-white.com/2012/05/plans/rustic-x-console>

[10] <http://thefriendlyhome.blogspot.com/2012/07/oxidized-x-coffee-table.html>

[11]

<http://thefriendlyhome.blogspot.com/2012/07/how-to-oxidize-wood.html>

[12] <http://ana-white.com/category/plans/project-type/coffee-table>

[13] <http://ana-white.com/category/plans/room/living-room>

[14] <http://ana-white.com/category/plans/skill-level/intermediate>

[15] <http://ana-white.com/category/plans/style/farmhouse>

[16] <http://www.kregtool.com/files/anawhite/anawhite.asp>

[17] <https://www.ryobitools.com/power-tools/products/details/537>

[18] <https://www.ryobitools.com/power-tools/products/details/636>

[19] <https://www.ryobitools.com/power-tools/products/details/552>

[20] <https://www.ryobitools.com/power-tools/products/details/187>

[21] <https://www.ryobitools.com/power-tools/products/details/237>

[22]

http://ana-white.com/sites/default/files/3154812194_1341855642.jpg

[23]

http://ana-white.com/sites/default/files/3154812195_1341855642.jpg

[24]

http://ana-white.com/sites/default/files/3154812196_1341855642.jpg

[25]

http://ana-white.com/sites/default/files/3154812197_1341855642.jpg

[26]

http://ana-white.com/sites/default/files/3154812198_1341855642.jpg